



**PANELCLAW<sup>®</sup>**

**clawFR 5D, 10D and 10D Dual Tilt**  
**Accessory Cut Sheets**

600021\_Rev02



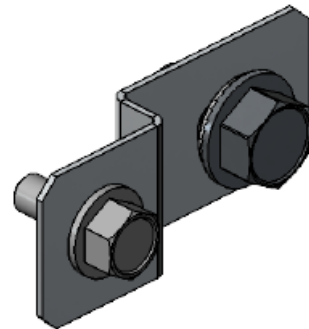
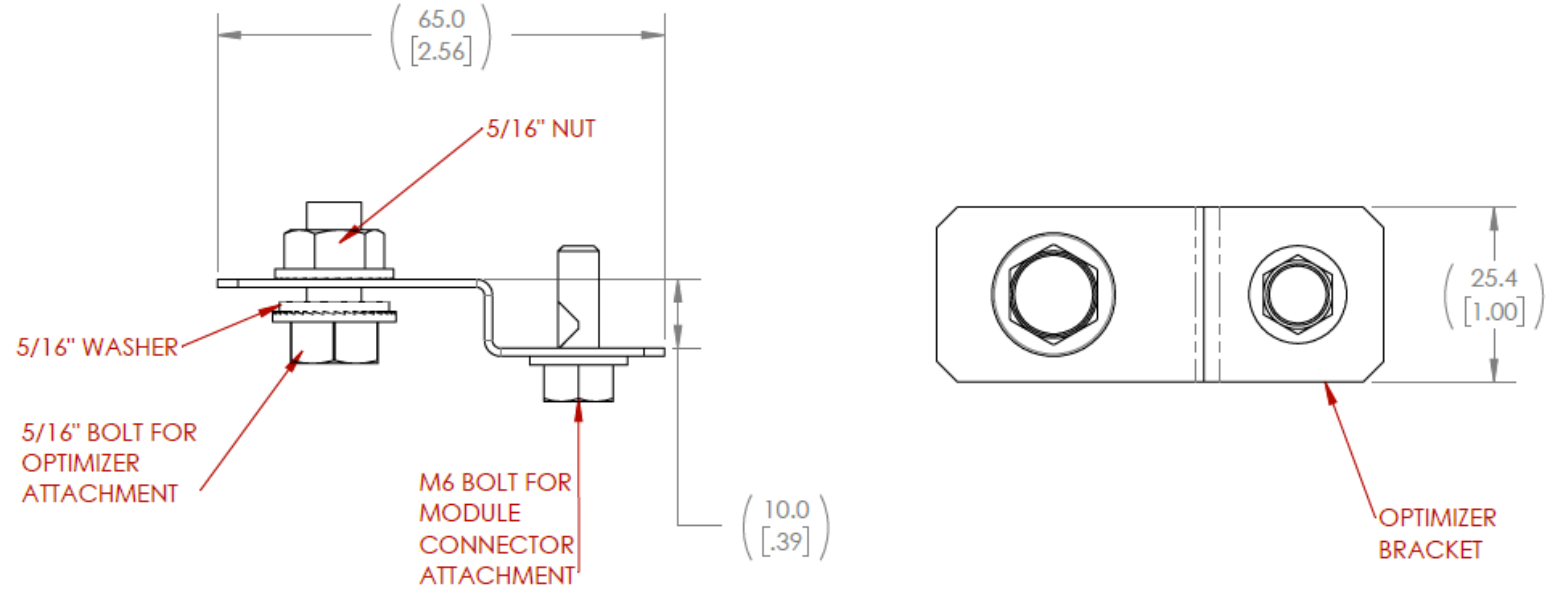
# Accessory Cut Sheet

## Optimizer Mounting Bracket Kit

### For use with:

- clawFR 5 Degree
- clawFR 10 Degree
- clawFR 10 Degree Dual Tilt

REVISION				
REV.	ECO#	DESCRIPTION	DATE	APPROVED
A	C00565	INITIAL RELEASE	14-AUG-19	JA



**PROPRIETARY AND CONFIDENTIAL**  
 THE INFORMATION CONTAINED IN THIS DRAWING IS THE SOLE PROPERTY OF PANELCLAW. ANY REPRODUCTION IN PART OR AS A WHOLE WITHOUT THE WRITTEN PERMISSION OF PANELCLAW IS PROHIBITED.

MATERIAL  
 STEEL W/ ZAM



PanelClaw, Inc.  
 1600 Osgood St., Suite 2023,  
 North Andover, MA 01845  
 Phone: 978.688.4900  
 Fax: 978.688.5100  
 www.panelclaw.com

# PANELCLAW

## KIT, OPTIMIZER, 100PK, CFR

SIZE	DWG. NO.	REV
<b>A</b>	<b>C500050901</b>	<b>A</b>

DIMENSIONS ARE IN mm [INCHES]	SCALE: NONE	WT 7.0/16.0 kg/lb	SHEET 1 OF 1
-------------------------------	-------------	-------------------	--------------



# Accessory Cut Sheet

## Wire Router Kit

### For use with:

- clawFR 5 Degree
- clawFR 10 Degree
- clawFR 10 Degree Dual Tilt

REVISION				
REV.	ECO#	DESCRIPTION	DATE	APPROVED
A	C00565	INITIAL RELEASE	14-AUG-19	JA

**MODULE CONNECTOR ATTACHMENT HOLE FOR M6 BOLT**

390 [15.4]

86 [3.4]

560 [22.0]

5/16" WASHER

59 [2.3]

30 [1.2]

22 [.9]

13 [.5]

FITS UP TO 4x #10 USE-2 WIRES (PV WIRE)

500022501

500022502

PART NUMBER	WEIGHT kg/lb
500022501	4.0/8.8
500022502	6.0/13.3

<p><b>PROPRIETARY AND CONFIDENTIAL</b></p> <p>THE INFORMATION CONTAINED IN THIS DRAWING IS THE SOLE PROPERTY OF PANELCLAW. ANY REPRODUCTION IN PART OR AS A WHOLE WITHOUT THE WRITTEN PERMISSION OF PANELCLAW IS PROHIBITED.</p>	<p><b>PANELCLAW</b></p> <p>PanelClaw, Inc. 1600 Osgood St., Suite 2023, North Andover, MA 01845 Phone: 978.688.4900 Fax: 978.688.5100 www.panelclaw.com</p>							
<b>KIT, WIRE ROUTER, 25PK, CFR</b>								
MATERIAL TPV (Thermoplastic Vulcanizate)	<table border="1" style="width: 100%; border-collapse: collapse;"> <tr> <td>SIZE</td> <td>DWG. NO.</td> <td>REV</td> </tr> <tr> <td style="text-align: center;"><b>A</b></td> <td style="text-align: center;"><b>C5000225XX</b></td> <td style="text-align: center;"><b>A</b></td> </tr> </table>	SIZE	DWG. NO.	REV	<b>A</b>	<b>C5000225XX</b>	<b>A</b>	
SIZE	DWG. NO.	REV						
<b>A</b>	<b>C5000225XX</b>	<b>A</b>						
DIMENSIONS ARE IN mm [INCHES]		SCALE: NONE    WT SEE TABLE kg/lb    SHEET 1 OF 1						



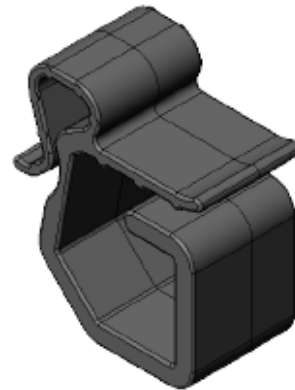
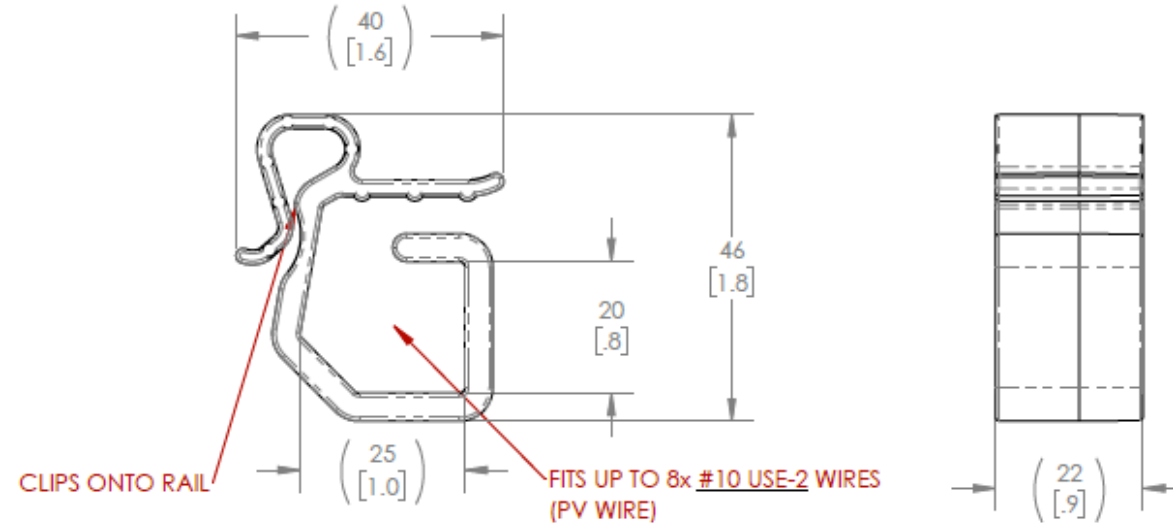
# Accessory Cut Sheet

## Wire Clip

### For use with:

- clawFR 5 Degree
- clawFR 10 Degree
- clawFR 10 Degree Dual Tilt

REVISION				
REV.	ECO#	DESCRIPTION	DATE	APPROVED
A	C00565	INITIAL RELEASE	14-AUG-19	JA
B	C00619	DECREASED WIDTH BY 3MM	29-MAY-20	JA



PROPRIETARY AND CONFIDENTIAL  
THE INFORMATION CONTAINED IN THIS DRAWING IS THE SOLE PROPERTY OF PANELCLAW. ANY REPRODUCTION IN PART OR AS A WHOLE WITHOUT THE WRITTEN PERMISSION OF PANELCLAW IS PROHIBITED.

MATERIAL  
POLYAMIDE 66



PanelClaw, Inc.  
1600 Osgood St., Suite 2023,  
North Andover, MA 01845  
Phone: 978.588.4900  
Fax: 978.688.5100  
www.panelclaw.com

**PANELCLAW**  
**KIT, WIRE CLIP, 100PK, CFR**

SIZE <b>A</b>	DWG. NO. <b>C5000226</b>	REV <b>B</b>
------------------	-----------------------------	-----------------

DIMENSIONS ARE IN mm [INCHES]    SCALE: NONE    WT 1.5/3.3 kg/lb    SHEET 1 OF 1



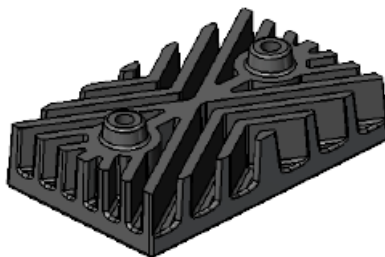
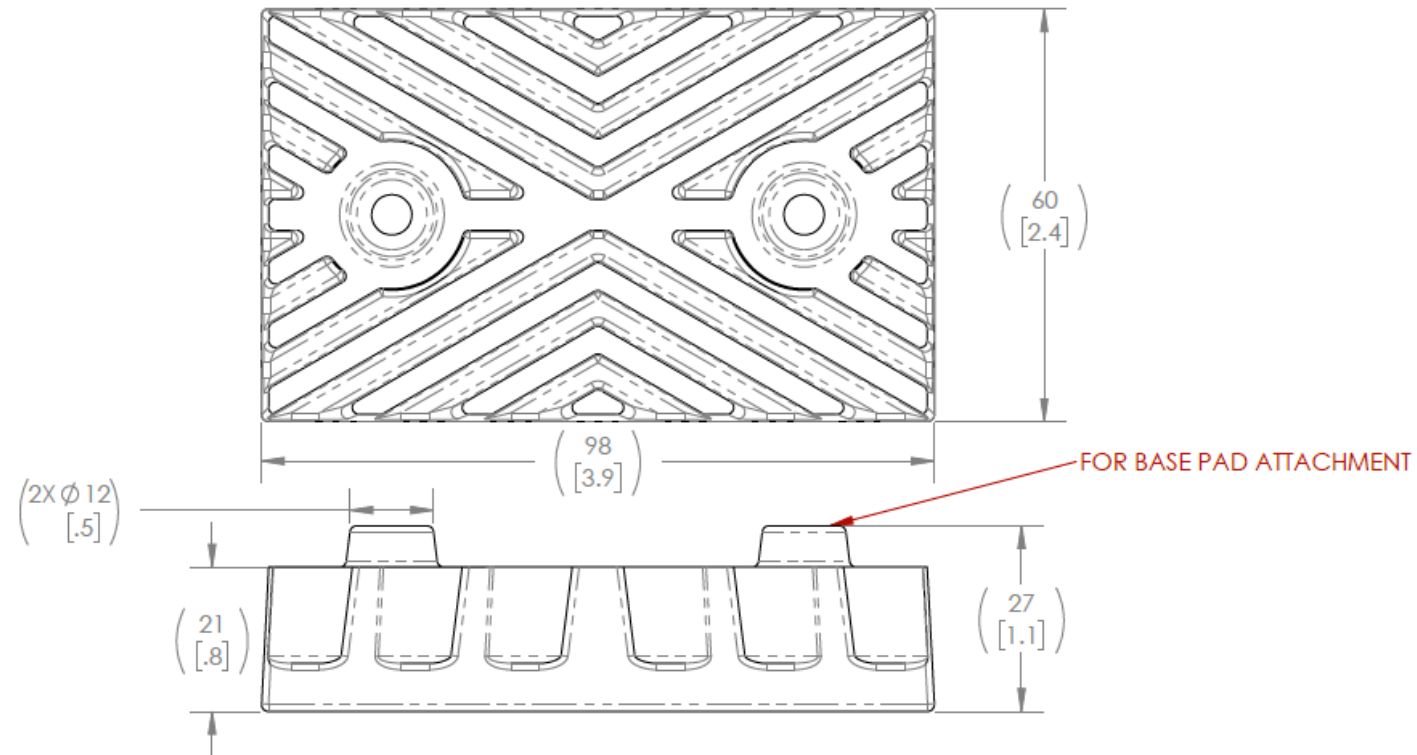
# Accessory Cut Sheet

## Shim Pad Kit

### For use with:

- clawFR 5 Degree
- clawFR 10 Degree
- clawFR 10 Degree Dual Tilt

REVISION				
REV.	ECO#	DESCRIPTION	DATE	APPROVED
A	C00565	INITIAL RELEASE	14-AUG-19	JA



**PROPRIETARY AND CONFIDENTIAL**  
 THE INFORMATION CONTAINED IN THIS DRAWING IS THE SOLE PROPERTY OF PANELCLAW. ANY REPRODUCTION IN PART OR AS A WHOLE WITHOUT THE WRITTEN PERMISSION OF PANELCLAW IS PROHIBITED.

**MATERIAL**  
 TPV  
 (Thermoplastic  
 Vulcanizate)

DIMENSIONS ARE IN mm [INCHES]



PanelClaw, Inc.  
 1600 Osgood St., Suite 2023,  
 North Andover, MA 01845  
 Phone: 978.688.4900  
 Fax: 978.688.5100  
 www.panelclaw.com

**PANELCLAW**

**PAD, SHIM, 50PK, CFR**

SIZE	DWG. NO.	REV
<b>A</b>	<b>C5000228</b>	<b>A</b>

SCALE: NONE WT 3.9/8.6 kg/lb SHEET 1 OF 1



For Questions or Feedback Contact [sales@panelclaw.com](mailto:sales@panelclaw.com)

---