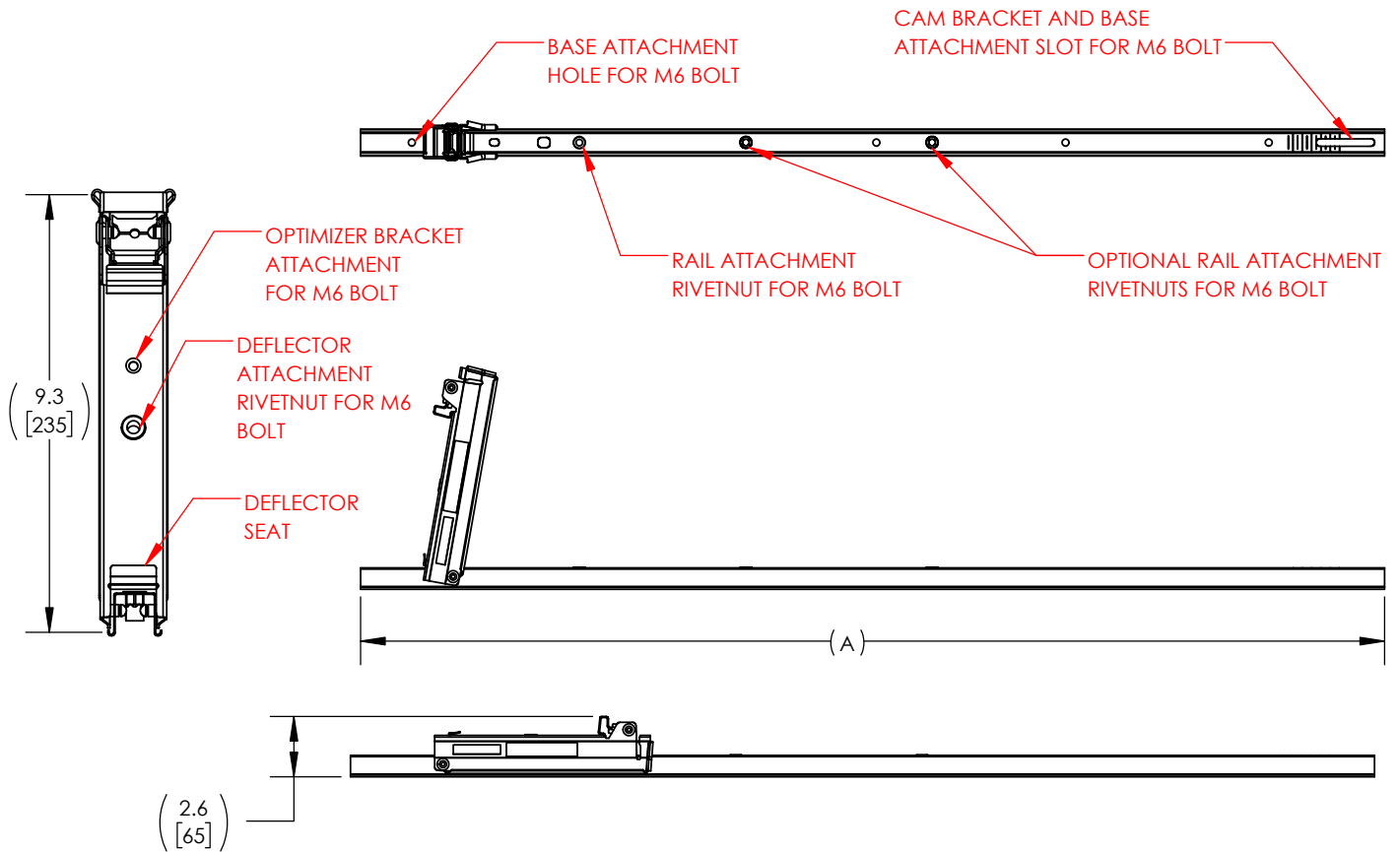
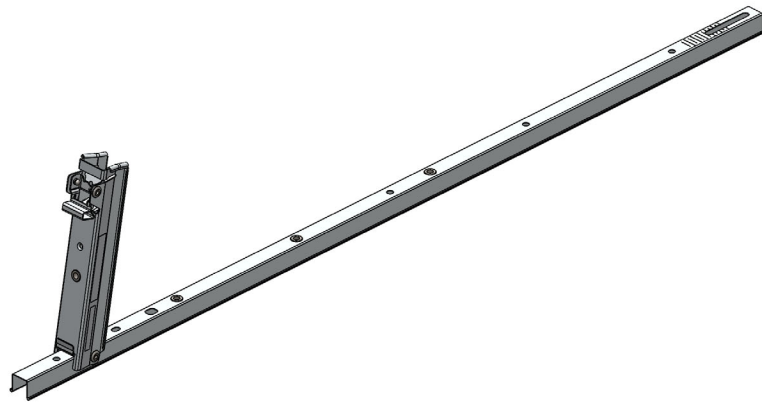
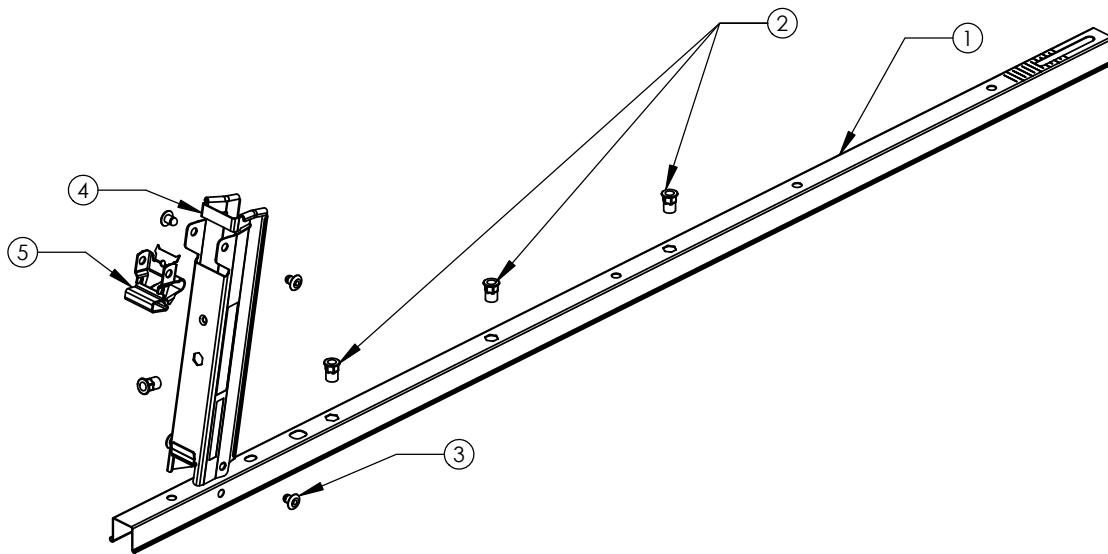


MODULE CONNECTOR, 10 DEGREE, CFRP

PART NUMBER	DESCRIPTION	DIM "A" inch[mm]	WEIGHT lb/kg	MODULE WIDTH mm
500063301	MODULE CONNECTOR, 1030, 10D, CFRP	43.31[1100.0]	1.684/0.764	990 - 1030
500063302	MODULE CONNECTOR, 1070, 10D, CFRP	44.88[1140.0]	1.720/0.780	1031 - 1070
500063303	MODULE CONNECTOR, 1110, 10D, CFRP	46.46[1180.0]	1.756/0.797	1071 - 1110
500063304	MODULE CONNECTOR, 1150, 10D, CFRP	48.03[1220.0]	1.792/0.813	1111 - 1150
500063308	MODULE CONNECTOR, 1310, 10D, CFRP	54.33[1380.0]	1.936/0.878	1270 - 1310

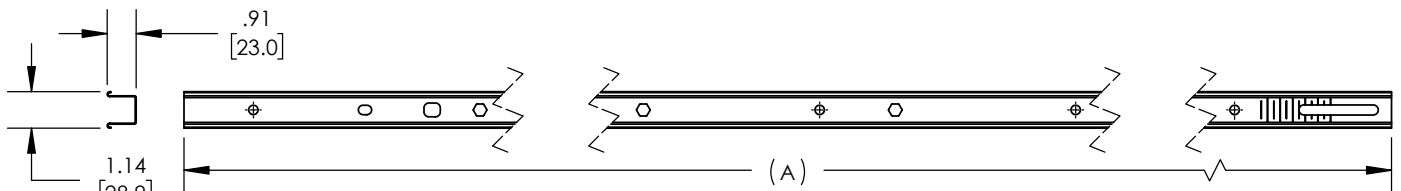


MODULE CONNECTOR, 10 DEGREE, CFRP

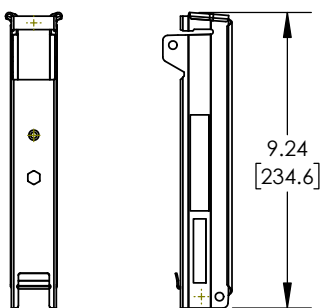


ITEM NO.	DESCRIPTION
1	MODULE CONNECTOR, CFR
2	TILT ARM, 10D, CFRP
3	LOCK CLAW, CFRP
4	RIVETNUT, HEX, M6X1.0, ST
5	RIVET, 1/4"x .25"L, .020-.125 GRIP, ST

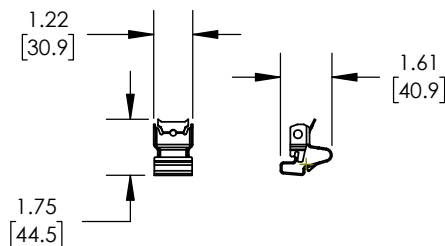
1) MODULE CONNECTOR, CFR



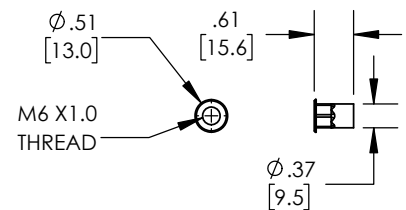
2) TILT ARM, 10D, CFRP



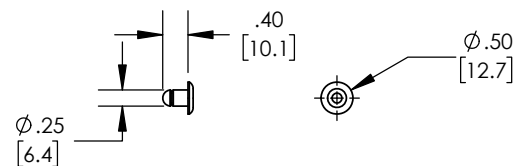
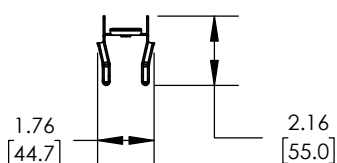
3) LOCK CLAW, CFRP



4) RIVETNUT, HEX, M6X1.0, ST



5) RIVET, 1/4"x .25"L, .020-.125 GRIP, ST



MATERIAL	STEEL
FINISH	ZINC-ALUMINUM-MAGNESIUM, ZINC,

MODULE CONNECTOR, 10 DEGREE, CFRP

PACKAGING INFORMATION				
PART NUMBER	DESCRIPTION	DIM (B) IN INCHES	UNIT QTY.	PALLET WEIGHT
70-00364	MODULE CONNECTOR, 1030, 10D, CFRP(ASSEMBLY)	52.0	450	833 LBS
70-00365	MODULE CONNECTOR, 1070, 10D, CFRP(ASSEMBLY)	52.0	450	849 LBS
70-00366	MODULE CONNECTOR, 1110, 10D, CFRP(ASSEMBLY)	52.0	450	865 LBS
70-00367	MODULE CONNECTOR, 1150, 10D, CFRP(ASSEMBLY)	52.0	450	881 LBS
70-00368	MODULE CONNECTOR, 1310, 10D, CFRP(ASSEMBLY)	58.5	450	946 LBS

